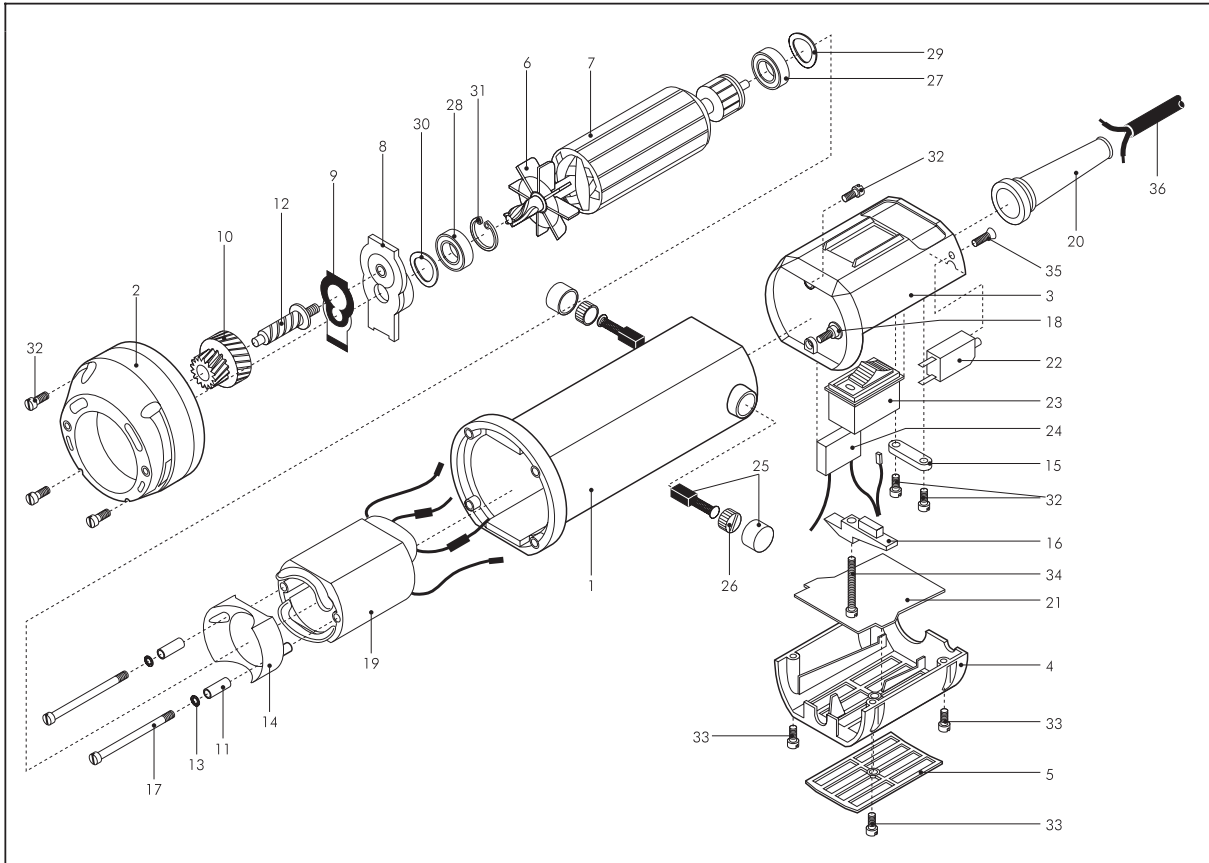


POS	ART-NO	DESCRIPTION	TOTAL
	706-500	Clipper head assembly Mod. 84 & 12V incl. blades	
1	706-501	Clipper head case	1x
2	706-503	Cutter driving carrier	1x
3	706-505	Crank spindle sleeve	1x
4	706-506	Crank spindle	1x
5	706-507	Crank drive block	1x
6	706-508	Gear wheel 30 teeth white	1x
7	706-509	Tension screw	1x
8	706-510	Distance screw	1x
9	706-511	Pressure plate	1x
10	706-514	Centering ring	2x
11	706-517	Pressure spring	1x
12	706-518	Laminated springs complete	2x
13	706-520	PH screw M5 x 16	2x
14	706-521	Blade screw M6 x 14	2x
15	706-523	PH screw M4 x 10	2x
16	706-524	Circlip Benzing for gear wheel Ø6 DIN 6799	1x
17	706-525	Cylindric screw with shank M3 x 6	2x



POS	ART-NO	DESCRIPTION	TOTAL
1	701-601	Motor housing	1x
2	701-602	Gearbox	1x
3	701-603	Switch housing	1x
4	701-605	Switch housing under	1x
5	701-607	Filter complete	1x
6	701-608	Fan wheel	1x
7	701-625	Rotor assembly complete 110-120V with fan wheel	1x
8	701-610	Centering bush	1x
9	701-612	Seal	1x
10	701-613	Gear wheel 21/12 teeth	1x
11	701-614	Distance bush	2x
12	701-615	Spindle	1x
13	701-616	Washer	2x
14	701-617	Air stream leading piece	1x
15	701-671	Cable grip USA	1x
16	701-619	Switch grip	1x
17	701-620	Fillister head screw M3 x 72.5	2x
18	701-621	Retaining screw M3.5	1x
19	701-629	Stator assembly complete 110-120V	1x
20	712-111	Anti knink sleeve USA	1x
21	701-627	Dust cover	1x
22	701-676	Overload security switch 1.8A / 110-120V	1x
23	701-631	Main switch	1x
24	701-669	Capacitor 0.15µF / 110-120V	1x
25	701-633	Brush with spring and protection cap	2x
26	701-634	Brush cap	2x
27	701-635	Ball bearing 626 ZZ	1x
28	701-636	Ball bearing 608 ZZ	1x
29	701-637	Spring disc „626“	1x
30	701-638	Spring disc „608“	1x
31	701-639	Circlip Ø22	1x
32	701-640	Fillister head screw M 3,5 x 8	5x
33	701-641	Fillister head screw M 3 x 6	4x
34	701-642	Fillister head screw M 3 x 25	1x
35	701-643	PT screw KA 25 X 6	1x
36	701-679	Cable with plug USA/Canada	1x