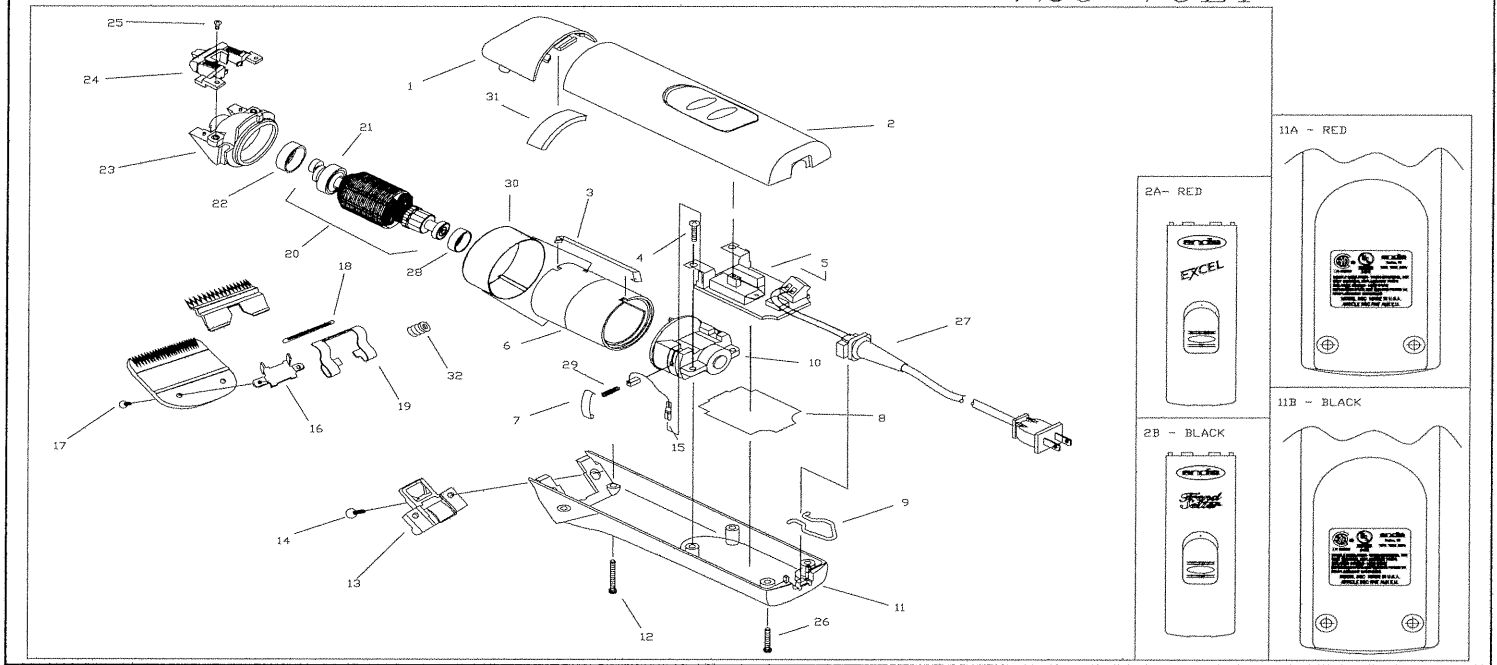


andis®

MODEL BGC CLIPPER
120 VOLT



| ITEM NO. | PART NO. | DESCRIPTION | QTY. REQ'D |
|----------|----------|-------------------------------------|------------|
| 1 | | Drive Cap | |
| 1a | 65266 | Drive Cap (Red) | 1 |
| 1b | 65267 | Drive Cap (Black) | 1 |
| 2 | | Upper Housing | |
| 2a | 22963 | Upper Housing (EXCEL) - Red | 1 |
| 2b | 22966 | Upper Housing (TrendSetter) - Black | 1 |
| 3 | 27198 | Motor Frame Clip | 1 |
| 4 | 21692 | Screw | 1 |
| 5 | 22682 | Switch & Circuit Board Assembly | 1 |
| 6 | 27352 | Magnetized Field Assembly | 1 |
| 7 | 65805 | Brush Retaining Clip | 1 |
| 8 | 64965 | Insulator | 1 |
| 9 | | Hanger Bail | |
| 9a | 22267 | (for units after 7/3/03) | 1 |
| 9b | 25061 | (for units before 7/3/03) | 1 |
| 10 | 64945 | Rear Motor Frame | 1 |
| 11 | | Lower Housing | |
| 11a | 65284 | Lower Housing (UL) Red | 1 |
| 11b | 65279 | Lower Housing (UL) Black | 1 |
| 12 | 64606 | Front Housing Screw | 1 |
| 13 | | Hinge Assembly | |
| 13a | S21743 | Hnge Assy (BGC & Oster 76 & 89) | 1 |
| 13b | S27091 | Hnge Assy (BGC & Oster 10,22,111) | 1 |
| 14 | 27861 | Blade Hinge Screw | 1 |
| 15 | 27847 | Carbon Brush With Shunt | 1 |

| ITEM NO. | PART NO. | DESCRIPTION | QTY. REQ'D |
|----------|----------|----------------------------------|------------|
| 16 | 64003 | Blade Bracket | 2 |
| 17 | 64139 | Blade Screw | 1 |
| 18 | 64027 | Blade Guide | 1 |
| 19 | 64013 | Tension Spring | 1 |
| 20 | 21977 | Armature Assembly (Includes #21) | 2 |
| 21 | 21976 | Cam & Bearing Assembly | 2 |
| 22 | 21068 | Large Bearing Cup | 1 |
| 23 | 65013 | Front Motor Frame | 2 |
| 24 | 22319 | Blade Drive Assembly | 1 |
| 25 | 15766 | Blade Drive Screw | 1 |
| 26 | 22086 | Rear Housing Screw | 1 |
| 27 | 26049 | Cord Set | 1 |
| 28 | 21067 | Small Bearing Cup | 1 |
| 29 | 65806 | Brush Spring | 1 |
| 30 | 64991 | Oil Seal | 1 |
| 31 | 17091 | Self-Adhesive Foam Pad | 1 |
| 32 | 22909 | Blade Retaining Spring | 1 |
| | | | |
| | | | |
| | | | |
| | | | |
| | | | |
| | | | |
| | | | |
| | | | |
| | | | |

IMPORTANT INFORMATION

When ordering repair parts, include part number, part name and model of trimmer. For best performance, trimmer blades should be CLEANED and OILED with Andis Clipper Oil before and after use. If repair is necessary, return to any Andis Authorized Repair Service Station, or to Andis Company, 1800 Renaissance Blvd., Sturtevant, Wisconsin, 53177 U.S.A.. Pack carefully, mail either Insured Parcel Post, or U.P.S. , attach a letter to outside of package explaining difficulty.