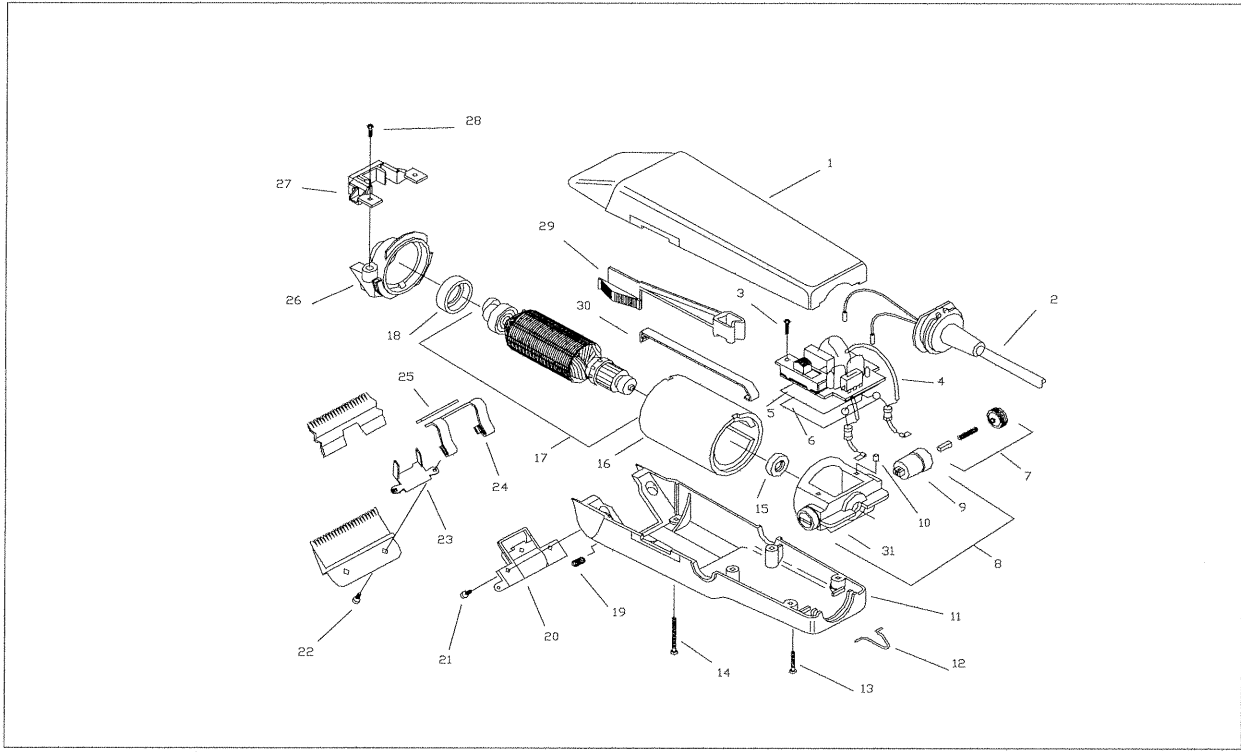


andis®

MODEL AG/BG CLIPPER 120 VOLT



ITEM NO.	PART NO.	DESCRIPTION	QTY. REQ'D
1		Upper Cover	
1a	27256	Upper Cover (Model AG)	1
1b	27259	Upper Cover (Model BG)	1
1c	22254	Upper Cover (Model BG Trendsetter)	1
2		Cord Set	
2a	21790	Cord Set (Model AG)	1
2b	21164	Cord Set (Model BG)	1
2c	63005	Cord Set (Model AG 16 ft)	1
3	21692	Screw	2
4	21366	Speed Control	1
5	21814	Insulation Sheet (Mylar)	1
6	21758	Insulation Sheet Copaco	1
7	21936	Brush Repair Kit	1
8	21766	Brush Housing Assembly	1
9	21011	Brush Holder	2
10	21021	Set Screw	2
11		Lower Housing	
11a	27252	Lower Housing (Model AG)	1
11b	21869	Lower Housing (Model BG UL/CSA)	1
11c	27253	Lower Housing (Model AG CSA)	1
11d	27254	Lower Housing (AG Blank Data Block)	1
12	25018	Hanger Bail	1
13	21050	Rear Housing Screw	2
14	21048	Front Housing Screw	2
15	21067	Bearing Mounting Ring	1
16	27352	Field Assembly	1

ITEM NO.	PART NO.	DESCRIPTION	QTY. REQ'D
17		Armature Assembly	
17a	27072	Armature Assy (w/ metal cam)	1
17b	21977	Armature Assy (w/ plastic cam)	1
18	21068	Bearing Mounting Ring	1
19	21014	Blade Retaining Spring	1
20		Hinge Assembly	
20a	20b	Hinge Assembly (Model AG)	1
21b	S21743	Hinge Assembly (Mdl BG & Oster 76 & 89 Blade Compatibility)	1
20c	S27091	Hinge Assembly (Mdl BG and Oster 10, 22, 111 Blade Compatibility)	1
21	27861	Blade Hinge Screw	1
22	64139	Blade Screw	1
23	64003	Blade Bracket	1
24	64013	Tension Spring	1
25	64027	Blade Guide	1
26	27181	Front Motor Frame Assembly	1
27	22319	Blade Drive Assembly	1
28	15766	Blade Drive Screw	2
29	21018	Switch Actuating Arm	1
30	27198	Motor Frame Retaining Clip	2
31	21130	Brush End Housing	1
32	21812	Carbon Brush Repair Kit	1
33	65034	Spacer	1

IMPORTANT INFORMATION

When ordering repair parts, include part number, part name and model of trimmer. For best performance, trimmer blades should be CLEANED and OILED with Andis Clipper Oil before and after use. If repair is necessary, return to any Andis Authorized Repair Service Station, or to Andis Company, 1800 Renaissance Blvd., Sturtevant, Wisconsin, 53177 U.S.A.. Pack carefully, mail either Insured Parcel Post, or U.P.S., attach a letter to outside of package explaining difficulty.